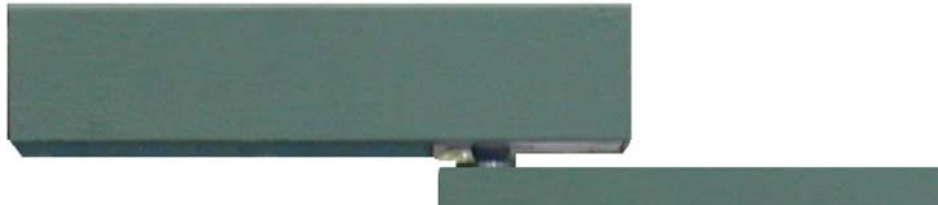




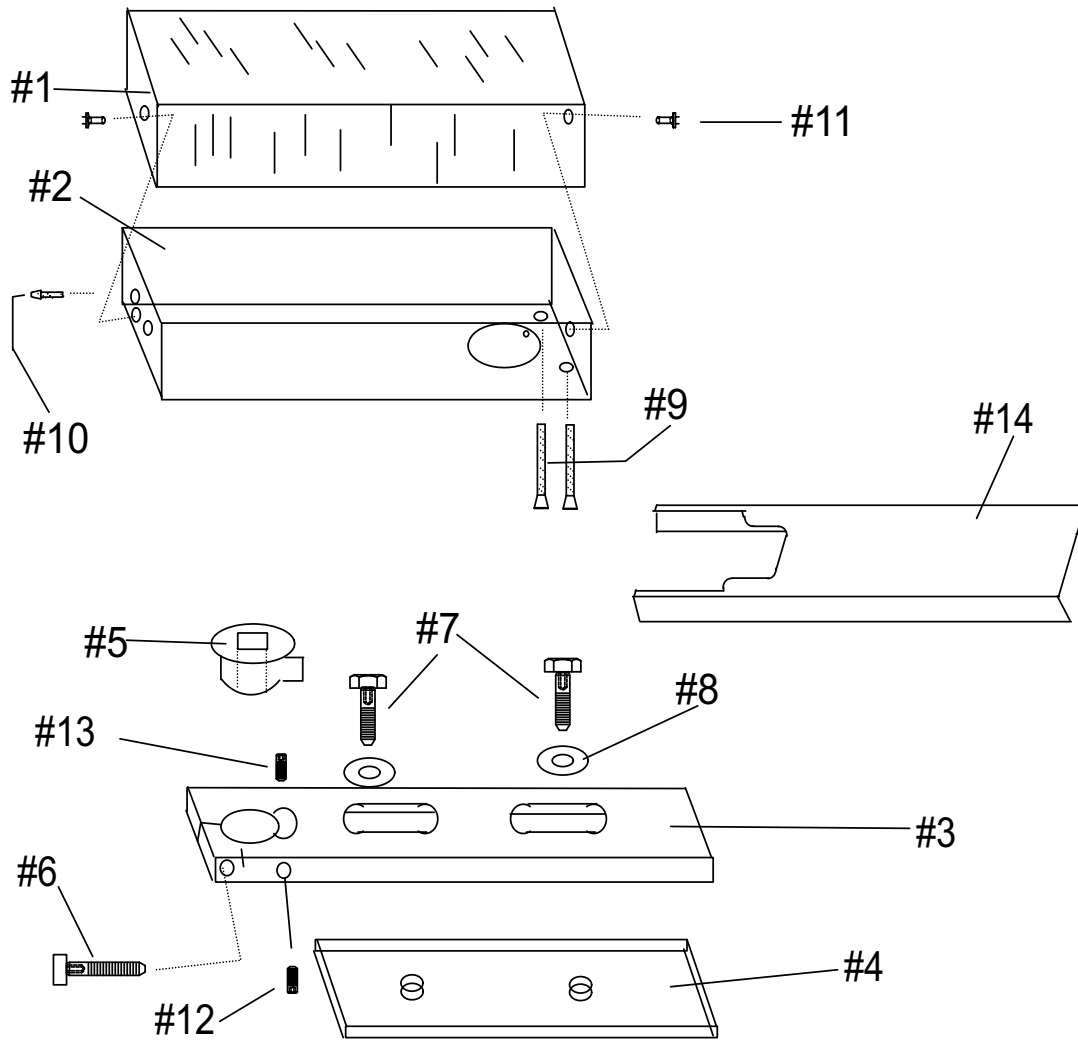
SWINGER 300



FEATURES AND ADVANTAGES OF THE "SWINGER 300" HYDRAULIC PEDESTRIAN GATE CLOSER:

- Tough, Dependable and Vandal resistant.
- 2" x 4" x 12" 16 gauge galvanized Steel housing.
- Gate closer manufactured for pedestrain gates.
- Two Separate Closing and Latching valves adjustable after installation without removing the closer.
- Non Handed (right or left swing).
- Opens to full 105 degrees.
- Fully adjustable top arm for proper gate alignment.
- Adjustable zinc plated Bottom Hinge with sealed ball bearings rated for 350 lbs.
- Designed to close gate into it's latch position without slamming.
- Smooth operation.
- Adjustable spring power to accommodate various size gates.
- Adjustable sealed bearing bottom hinge.
- Factory tested to over 1,000,000 cycles.

EXPLODED VIEW



Swinger 300 Parts List:

Item #	Quantity	Description	Part #
#1	1	Housing Cover	311-1
#2	1	Housing Box	311-2
#3	1	Arm	311-3
#4	1	Gate plate	311-4
#5	1	Bushing	311-5
#6	1	1/4-28x1" Socket head cap screw	311-6
#7	2	3/8-24 x 1/2" #5 Hex head bolt	311-7
#8	2	3/8" USS-SAE Flat washer	311-8
#9	2	1/4-20 x 1-1/4" Flathead screws	311-9
#10	2	1/4-20 x 1/2" Button head screws	311-10
#11	2	10-32 x 1/4" Button head screw	311-11
#12	1	1/4-20 x 5/8" Socket set screw	311-12
#13	1	1/4-20 x 1/2" Socket set screw	311-13
#14	1	Arm cover	311-14
#15	1	Bottom Hinge (Not shown)	311-15
#16	1	Hydraulic Closer (Not shown)	311RVLS

Visit our website: intldoorclosers.com



EAST:
 1920 Air Lane Drive • Nashville, TN 37210
 (615) 885-7060 • (800) 225-6737 • FAX: (615) 885-0903

WEST:
 1140 North Kraemer Place • Anaheim, CA 92806
 (714) 666-0390 • (800) 544-4422 • FAX: (714) 666-2215